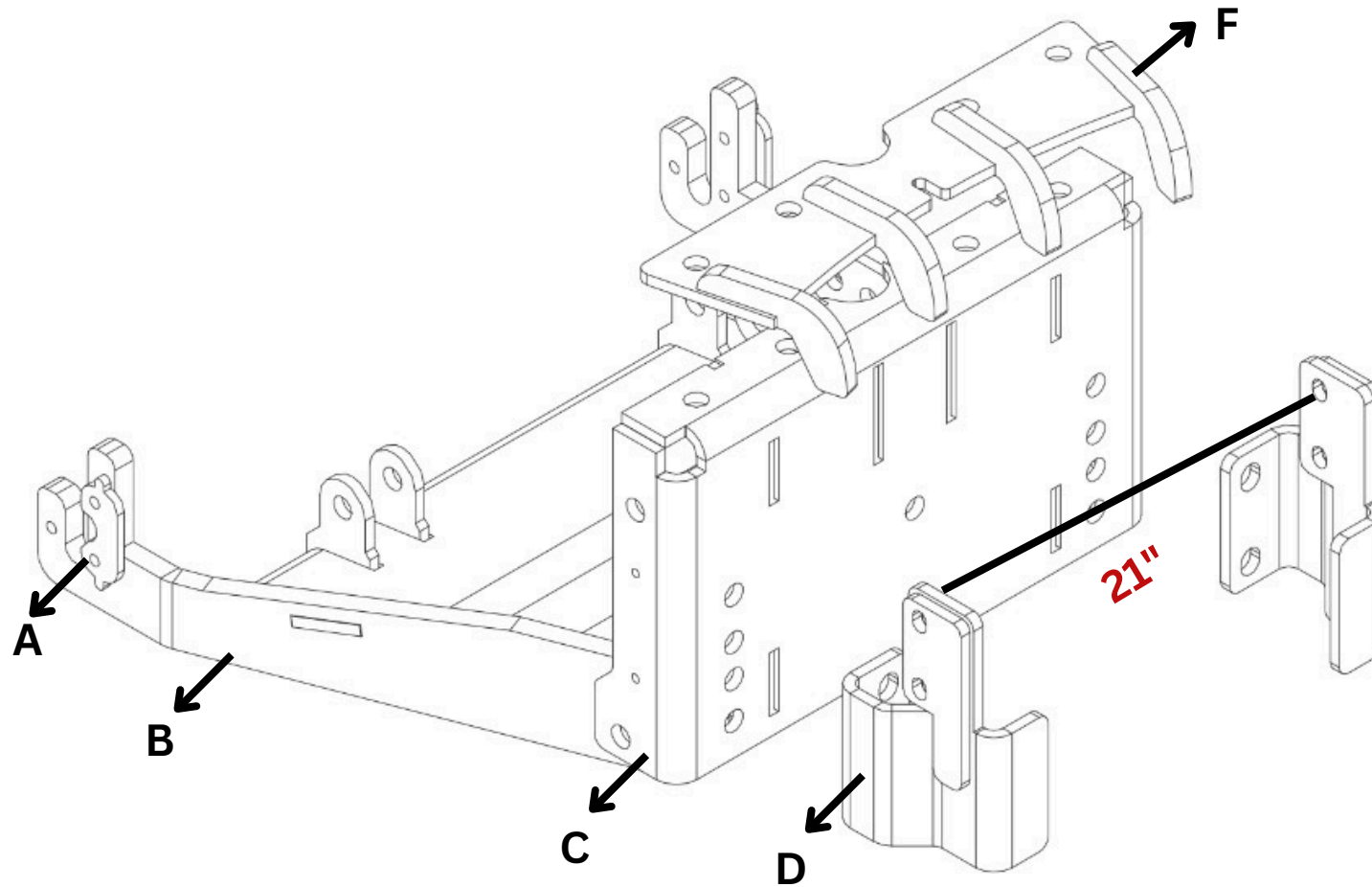


Old School Manufacturing,
LLC. Patent Pending
NH 4-3



A. Locking Pawl

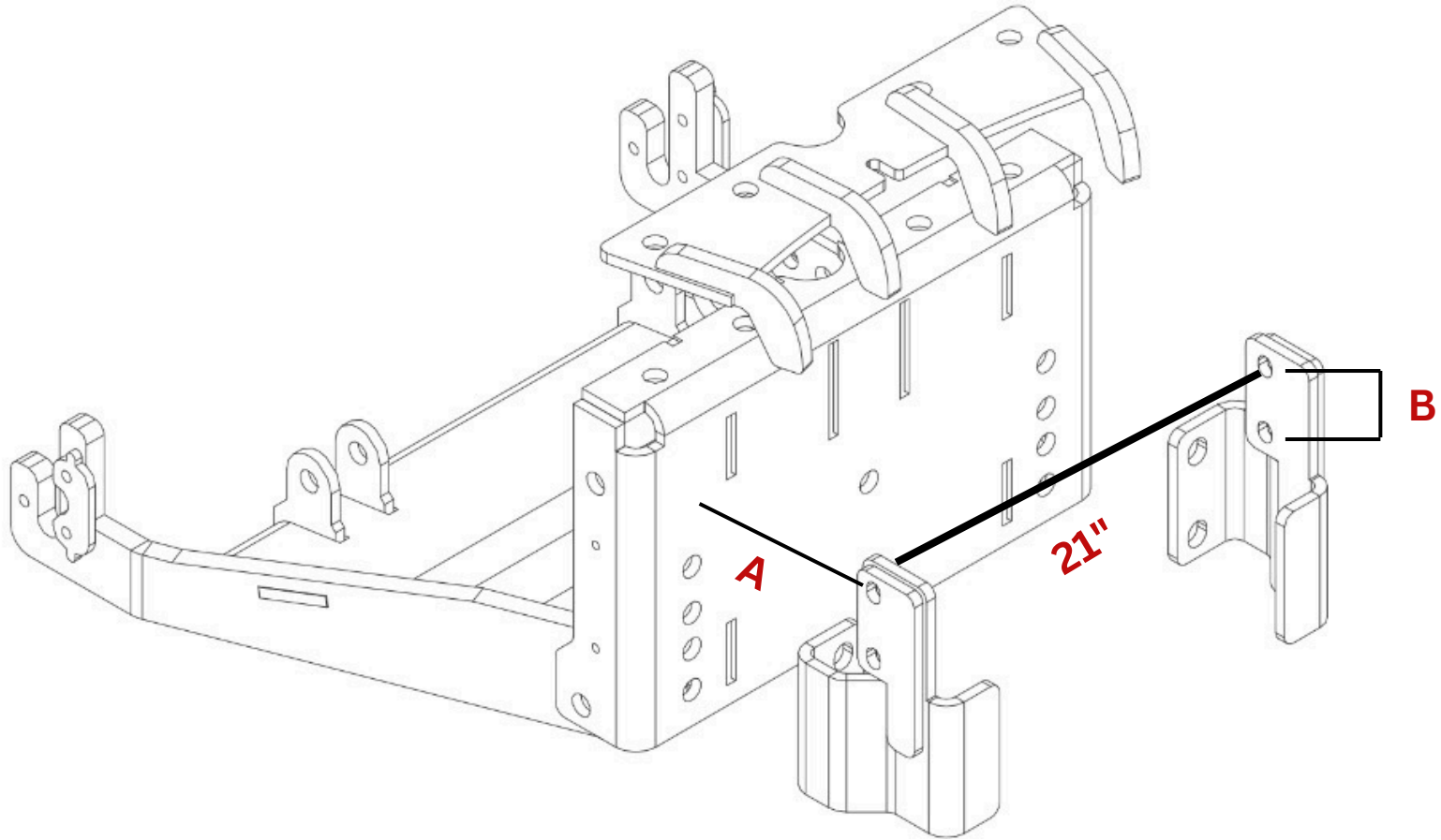
B. Universal Lower 3PT. Arms

C. Universal Main 3pt. Rear Plate

D. Below Weight Bracket Stop

F. Top Hook

Old School Manufacturing,
LLC. Patent Pending
NH 4-3



Dimension A $2 \frac{1}{2}$ Center of hole

Dimension B $3 \frac{3}{16}$

Steps for Installation of Front 3-pt. Kits (EXCEPT for JD 2-4 & NH 1-8)

1. Remove the tractor suitcase weights
2. Remove the tractor weight bracket.
3. Place Below Weight Bracket Inside Connector (E) against the tractor weight bracket and check hole alignment.
3. If all holes line up, place (E) Below Weight Bracket Inside Connector between the tractor weight bracket and tractor frame (longer bolts may be needed).
4. Loosely place Top Hook (F) on Universal Main 3-pt. Rear Plate (C) (leave about 1/2" of gap).
5. Hang the 2 combined brackets (C & F) on tractor weight bracket similar to hanging a Suitcase Weight.
6. Place Below Weight Bracket Stops (D) against the back of Main 3-pt. Rear Plate (C) to see which holes line up. Keep in mind the purpose of this is to keep Top Hook (F) from slipping off of the Tractor Weight bracket. Keep it slid upward, towards the bottom of the Tractor Weight Bracket.
7. Tighten all bolts using thread-locker where needed.
8. Inspect GAP between part (D) and the bottom of the tractor weight bracket itself. It should be no more than 3/8". If the gap is more than 3/8" loosen the 4 bolts at the front of part (D) and adjust gap.
9. Couple part (B) to part (C) using the supplied bolts.
10. Install the 2 grease zerks at the bolt end of part (B)
11. Install the two 2" X 8" Hydraulic cylinders with the tube end towards part (C) or the tractor.
12. Install part (A) onto the bottom of part (B). The 1/2" bolt should go from the INSIDE to the OUTSIDE of part (B).

Notice the only bolts provided are the 6.5" bolts used to connect cylinders and lower arms to the 3-pt. plate and the bolts that connect the OSM 3PT kit together.

No tractor specific bolts are provided with the kit!